

EN ISO 9905

Standart

SNT

Single Stage Norm Centrifugal Pumps

EN 733



ATEX



SNT 02 12-10 EN

General Information

Handled Liquids

SNT type pumps are suitable for clean or slightly contaminated liquids with low viscosity.

Technical Data

Suction Flange	_____	DN 50 DN 300 mm
Discharge Flange	_____	DN 32 DN 250 mm
Capacity	_____	up to 1700 m ³ /h
Head	_____	up to 100 m
Speed	_____	up to 2900 d/dak
Operating Temperature	—	-10 °C to +140 °C *
Casing Pressure (Pmax)	—	10 bar (16 bar) *

(Pmax : Suction Pressure + Shut off Head)

(*) The material of pumps differ according to the type of pumped liquid , operating temperature and pressure. Contact our company for detailed information.

Applications

- Water supply, irrigation and sprinkler
- Water treatment
- Air conditioning
- Cooling plants
- Food and beverage processing
- Paper and cellulose industries
- Chemical and petrochemical industries
- Fire - fighting
- Power plants

Design Features

- Horizontal , radially split volute casing type , single stage, end suction centrifugal pump with enclosed impeller.
- Dimensionally complies with EN 733.
- In addition to 29 basic sizes conforming with EN 733, there are 20 additional sizes. Dimensions of additional sizes may differ from other suppliers.

Pump Designation

Pump type _____

Discharge nozzle (DN) _____

Nominal impeller diameter _____

SNT 100 - 250

- The suction and discharge flanges are conforming to EN 1092-2 / PN 16.
- Due to the back-pull-out design the complete bearing assembly including impeller and casing cover can be dismantled without removing the volute casing from the pipe system.
- All impellers are balanced statically and dynamically according to ISO 1940 class 6.3.
- Axial thrust is balanced by wear ring / balancing holes system.

Bearings

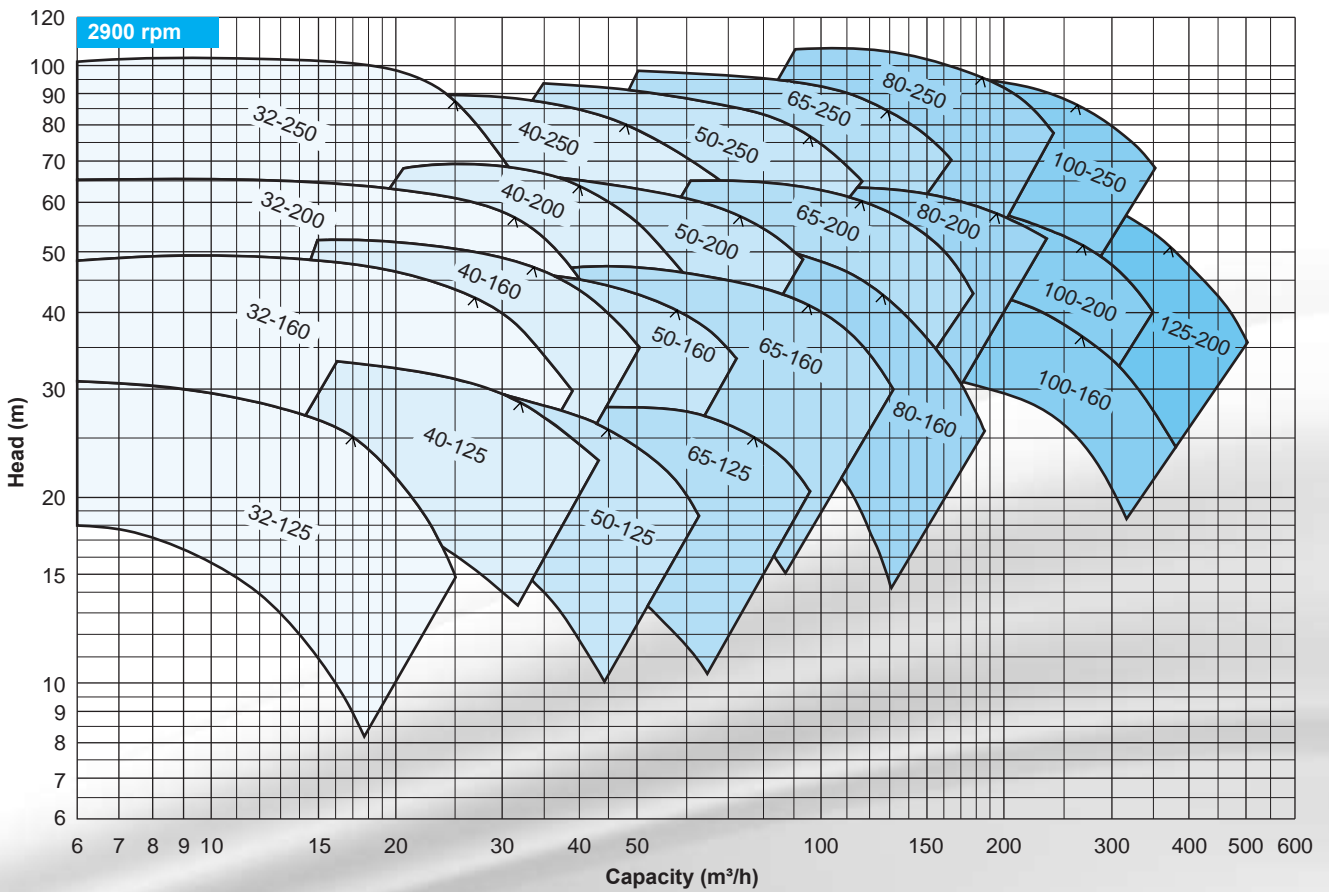
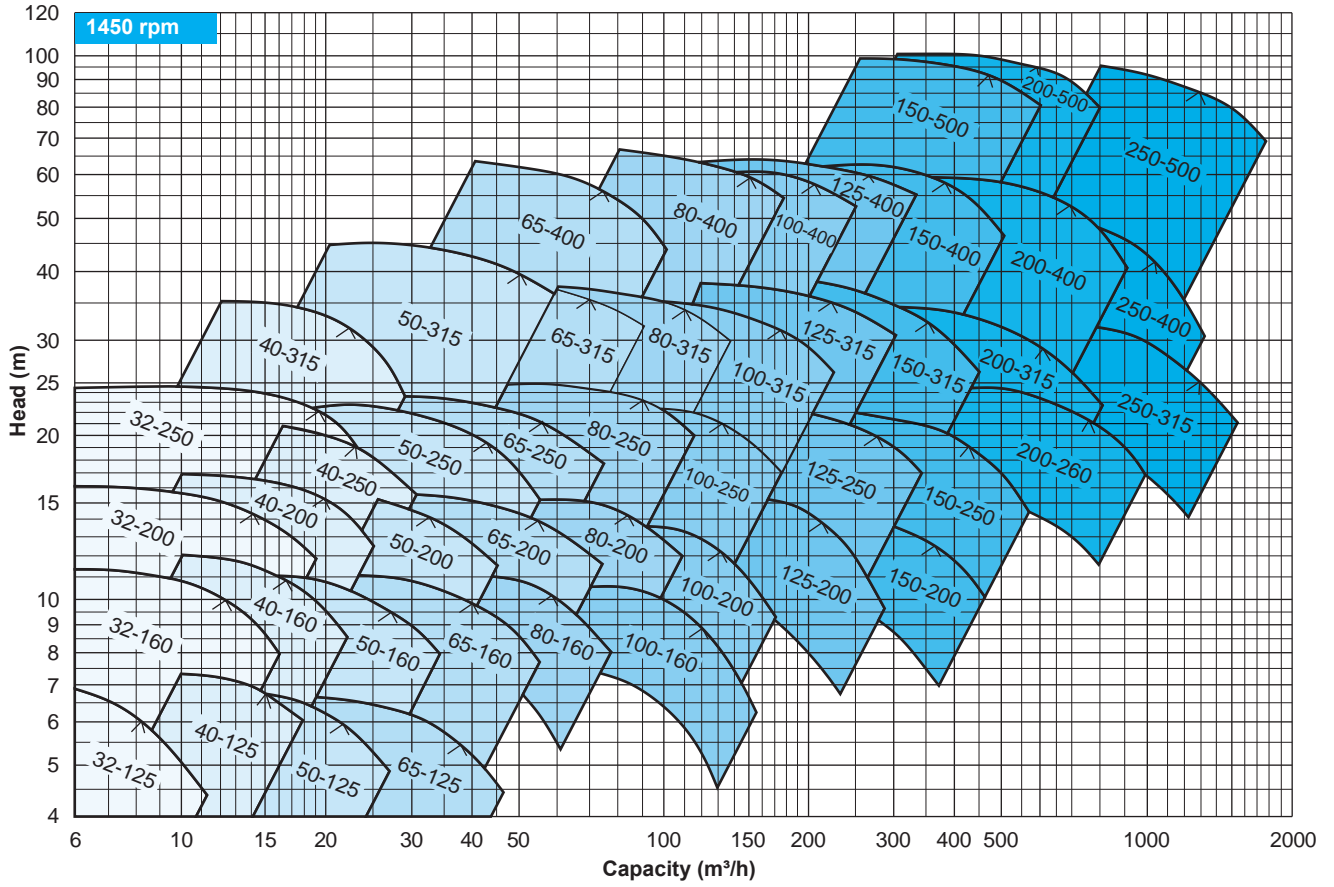
- Bearings of SNT type pumps are normally “life time grease lubricated” rolling bearings, except the pump SNT 200-500 and SNT 250-500 which are always oil lubricated.
- Depending on customer requirement pumps with oil lubricated or regreaseable bearing are available.

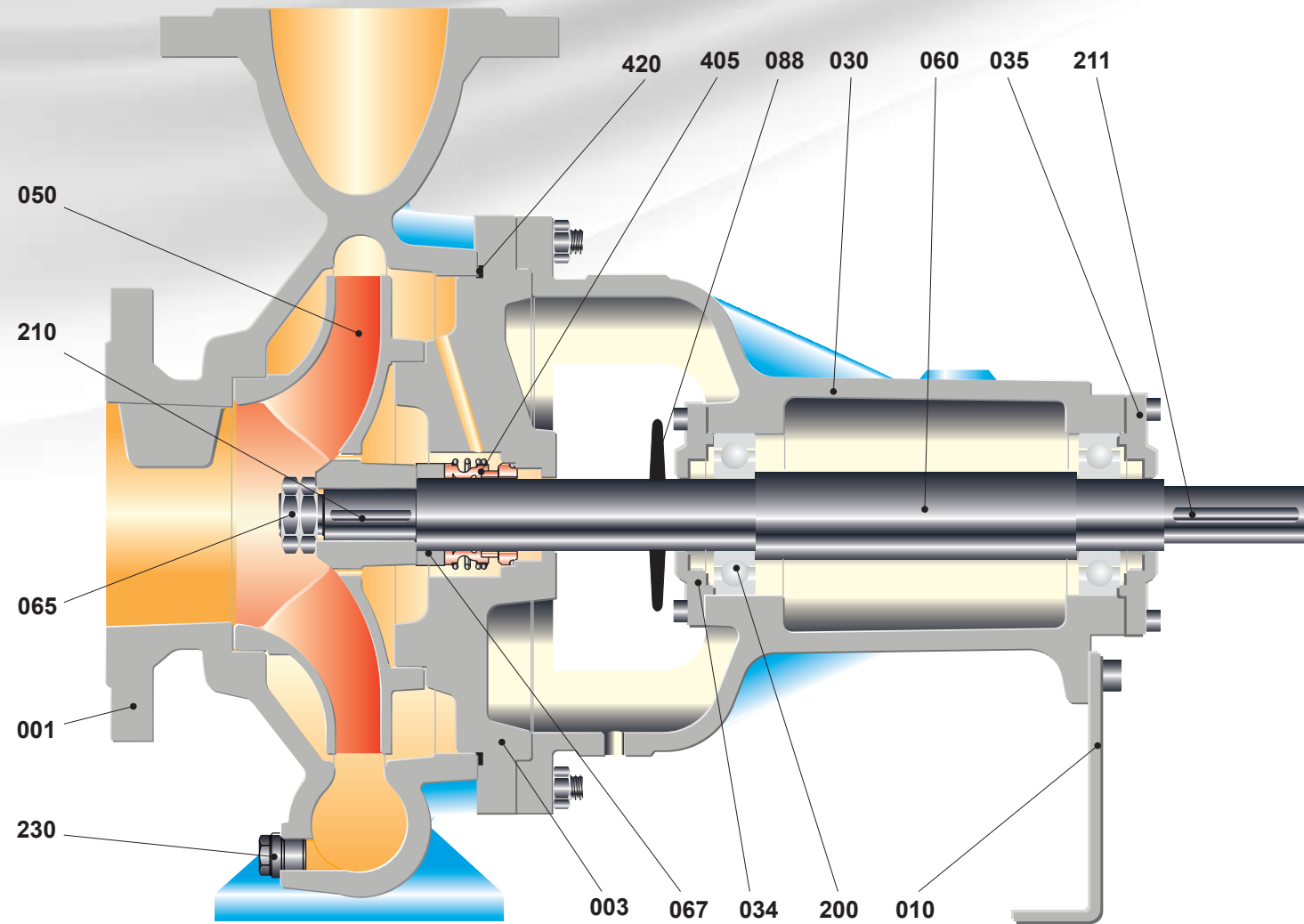
Shaft seal

- In standard production soft packed stuffing boxes are used.
- Depending on customer requirement mechanical seals are available. In this case, pump shaft is always stainless steel.

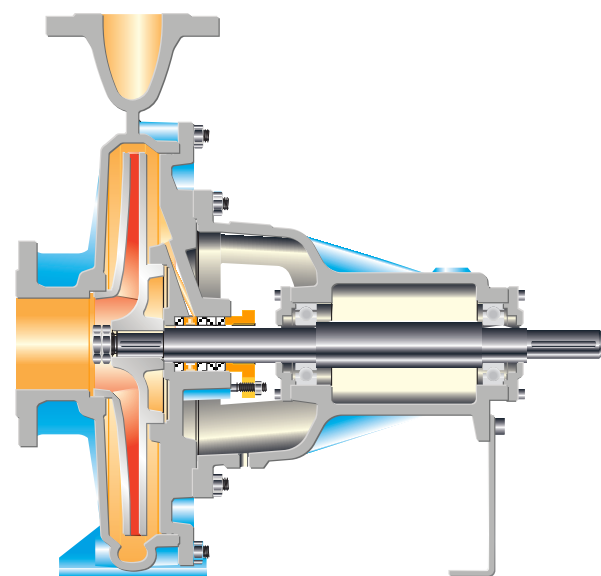
Rotation

- Direction of rotation is clockwise viewed from driver end.

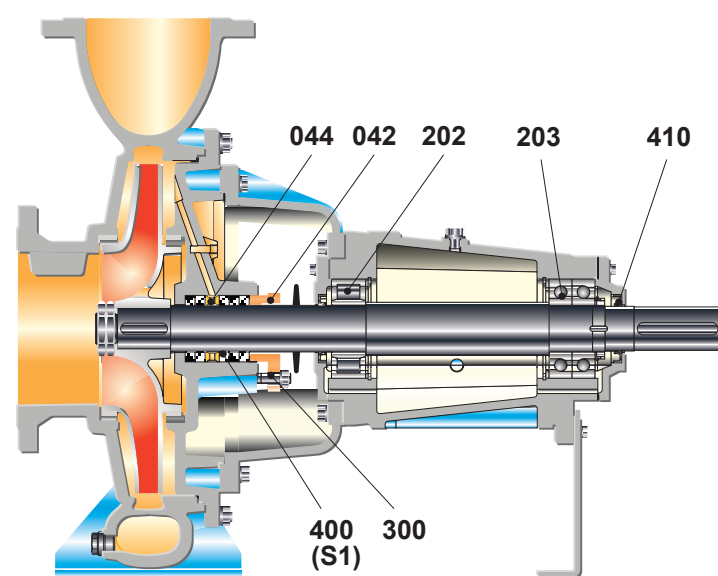




Form F1

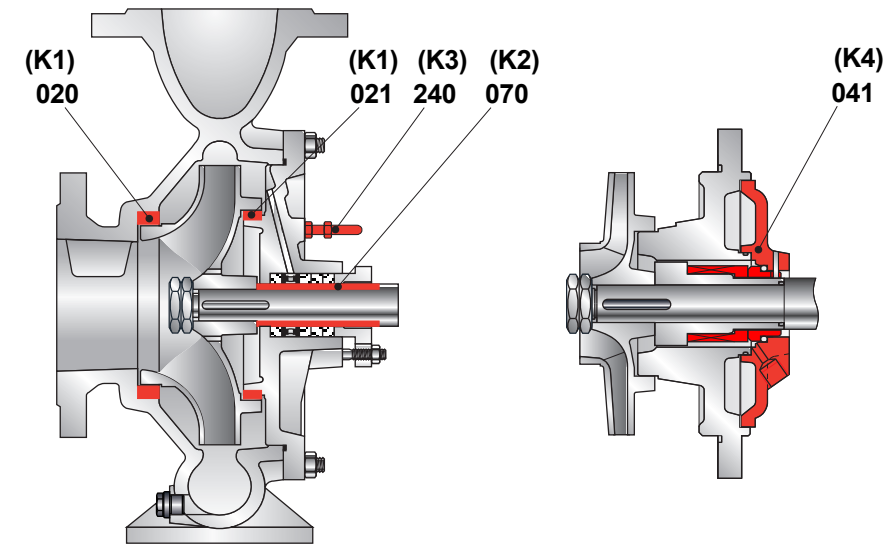


Form F2

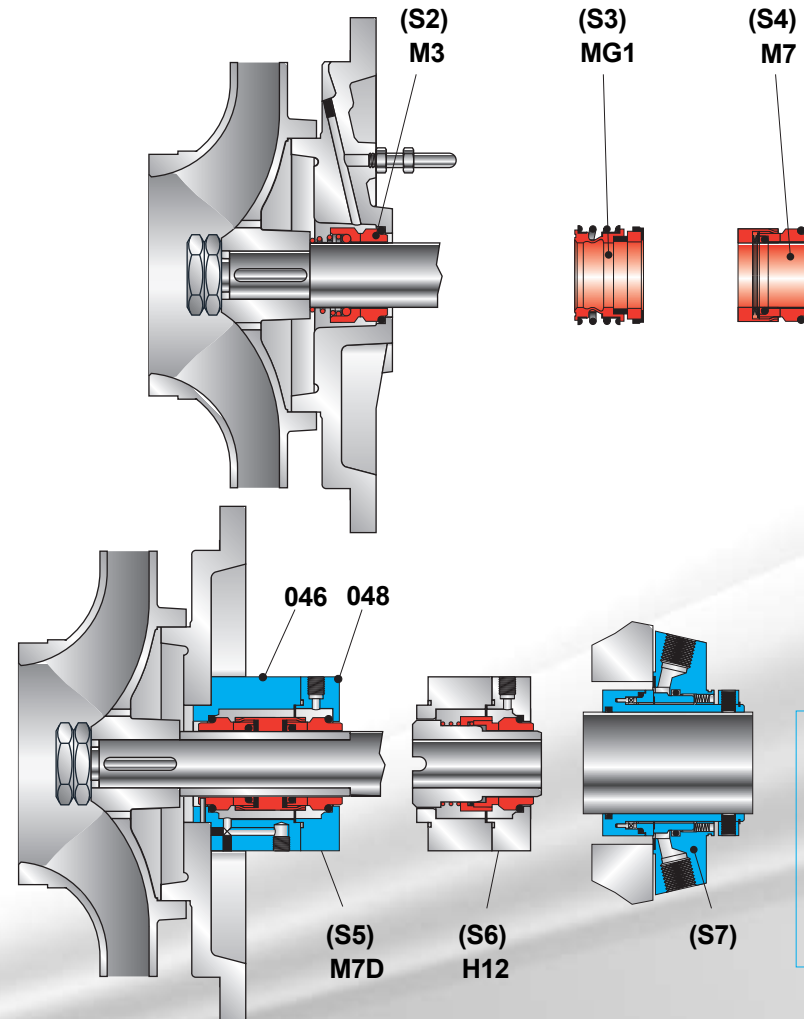


Form F3

Design & Sealing Options



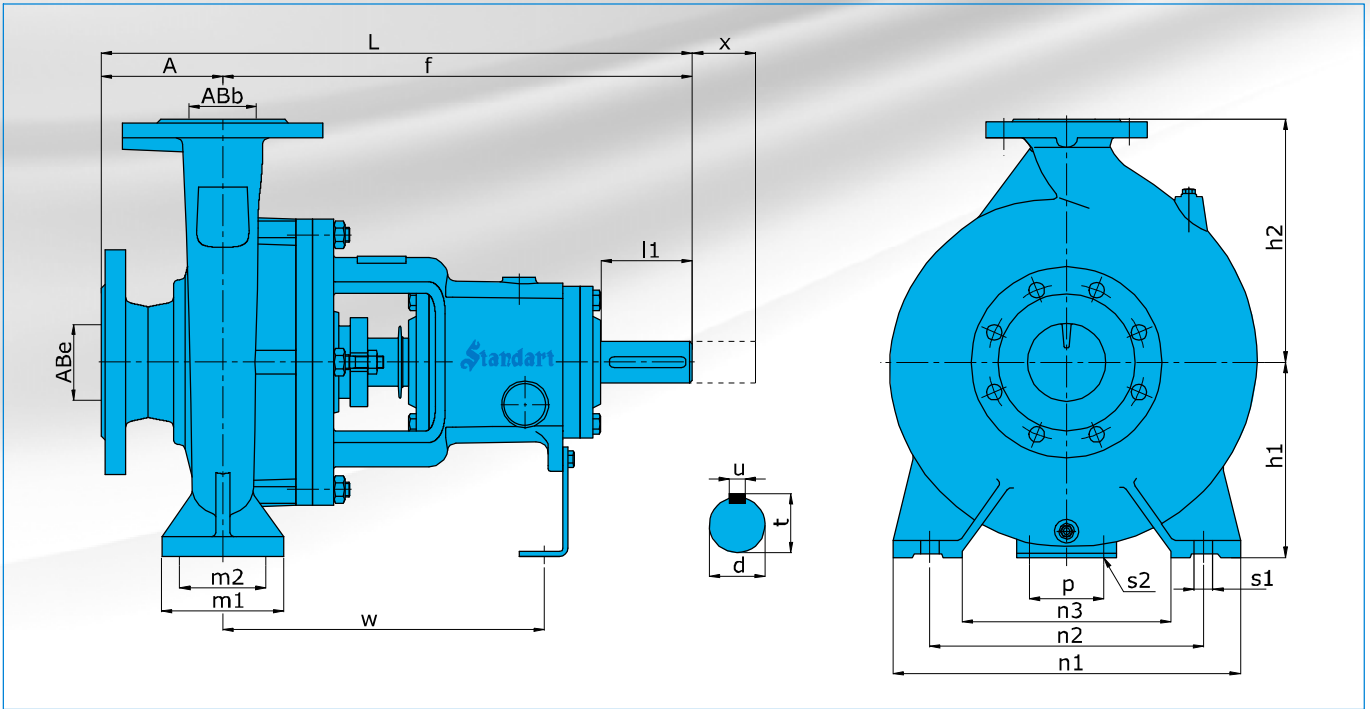
- (K1) Casing wear rings (front - back)
- (K2) Shaft sleeve
- (K3) Sealing fluid from outside source (for pumping of contaminated and/or malodorous liquids)
- (K4) Stuffing box cooling (100 °C up to 140 °C)



- (S1) Different soft packing types (up to 105 °C)
- (S2) M3 mechanical seal (up to 10 bar - 140 °C)
- (S3) MG1 mechanical seal (up to 12 bar - 140 °C)
- (S4) M7 mechanical seal (up to 16 bar - 140 °C)
- (S5) Double mechanical seal
- (S6) Balanced mechanical seal
- (S7) Cartridge mechanical seal

Part List

001	Volute casing
003	Casing cover
010	Frame foot
020	Wear ring (casing)
021	Wear ring (casing cover)
030	Bearing housing
034	Bearing cover
035	Bearing cover
041	Cooling jacket
042	Gland
044	Lantern ring
046	Mechanical seal housing
048	Mechanical seal cover
050	Impeller
060	Pump shaft
065	Impeller nut
067	Spacer sleeve
070	Shaft sleeve
088	Thrower
200	Ball bearing
202	Cylindrical roller bearing
203	Angular contact ball bearing
210	Impeller key
211	Coupling key
230	Drain plug
240	Seal tubing
300	Gland stud and nut
400	Stuffing box packing
405	Mechanical seal
410	Oil seal
420	O-Ring



Pump Size		Form	DIMENSIONS (mm)																				Weight (kg)	Space x**
EN 733	Additional		ABe	ABb	Overall Dimensions						Support & Feet Dimensions						Shaft End							
				A	f	L	h1	h2	m1	m2	n1	n2	n3	s1	p	s2	w	d	l1	t	u			
32-125		F1	50	32	80	360	440	112	140	100	70	190	140	90									32	100
32-160		F1						132	160			240	190	140									39	
32-200		F1						160	180														41	
	32-250	F2			100		460	180	225	125	95	320	250	190									53	100
40-125		F1			80		440	112	140	100	70	210	160	110									53	
40-160		F1						132	160			240	190	140									40	
40-200		F1	65	40	360		460	160	180			265	212	165	14	110	14	260	24	50	27	8	45	100
40-250		F2			100		460	180	225	125	95	320	250	190									57	
	40-315	F2						200	250			345	280										67	
50-125		F1						132	160			240	190	140									34	100
50-160		F1	65	50	100	360	460	160	180	100	70	265	212	165	14	110	14	260	24	50	27	8	42	
50-200		F1						200															48	
50-250		F2			80		460	180	225	125	95	320	250	190									57	100
	50-315	F2			100		460	200	250			345	280										67	
		F2						225	280			240	190	140									34	
65-125		F1	65	50	100	360	460	160	180	100	70	265	212	165	14	110	14	260	24	50	27	8	42	100
65-160		F1						200															48	
65-200		F1			80		460	180	225	125	95	320	250	190									57	
65-250		F1						200	250			320	250	190									67	140
65-315		F2			125	470	595	225	280	160	120	400	315	240	19		340	32	80	35	10	105		
	65-400	F2			100		470	225	280			435	355	275									130	
80-160		F1				360	485	180	225	125	95	320	250	190	14			260	24	50	27	8	49	140
80-200		F1						250				345	280	215									63	
80-250		F2			100	80	125	200	280			400	315	240	19		340	32	80	35	10	95		
80-315		F2						250	315	160	120	400	315	240	19		360	42	110	45	12	125	140	
	80-400	F3				530	655	280	355			435	355	275										175
	100-160	F1			125		595	200	280			360	280	200	19									80
100-200		F1						225		160	120	400	315	240	19	110	14	340	32	80	35	10	87	140
100-250		F2			140		610	250	315			400	315	240									100	
100-315		F3				530	670	280	355	200	150	500	400	300	23		360	42	110	45	12	180		
100-400		F3						315															97	140
	125-200	F1			150	125	140	470	610	250	160	400	315	240	19	110	14	340	32	80	35	10	110	
125-250		F2						355															180	
125-315		F3						280	315	200	150	500	400	300	23		360	42	110	45	12	200	140	
125-400		F3						315	400															150
	150-200	F1			200	150	160	470	630	200	150	500	400	300	23	110	14	340	32	80	35	10		160
150-315		F2						375															190	140
150-400		F3						400				550	450	350			360	42	110	45	12	230		
		F3						450		250	200	720	600	435	27	140	20	495	55	110	59	16	480	
	150-500	F2			200	730	930	400	525	250	200	720	600	435	27	140	20	495	55	110	59	16	280	200
	200-260	F3			250	200	610	810	355	250	200	600	500	360	23	140	20	410	42	110	45	12	300	
	200-315	F3						400															360	
	200-400	F1			300	250	180	725	905	300	240	720	600	435	27			490	55	110	59	16	360	180
	200-500	F3					210	925	1135	400								640	70	140	74.5	20	640	
	250-315	F1					230	730	960	300	240	720	600	435	27			520	55	110	59	16	390	
	250-400	F1					230	750	980	300	240	720	600	435	27	140	20	530	55	110	59	16	460	200
	250-500	F3					225	940	1165	450								670	70	140	74.5	20	660	

(**) Gap necessary for the withdrawal of the pump rotor from the driven end without the need for disconnecting the motor and pipework (spacer coupling application).

Material Options

Parts List	0.6025	0.7040	1.0619	1.4308	1.4408	1.4409	1.4517	1.4469	2.1050.01	1.0503	1.4021	1.4301	1.4306	1.4401	1.4404	1.4462
Volute casing	●	○	○	○	○	○	○	○	○							
Casing cover	●	○	○	○	○	○	○	○	○							
Impeller	●	○	○	○	○	○	○	○	○							
Shaft										●	○	○	○	○	○	○
Bearing housing	●															
Wear ring (Casing)	○	○	○	○	○	○	○	○	○							
Shaft protecting sleeve										○	○	○	○	○	○	○
Mechanical seal (*)	EN 12756 / DIN 24960															

(*) Optional : Depending on customer requirement or request different types and brands of mechanical seals are applicable.

● Standard manufacturing
○ Optional

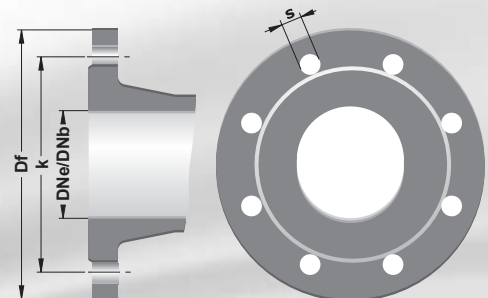
Material Equivalents

Description	DIN 17007	EN-DIN	ASTM
Cast iron	0.6025	GJL-250 (GG 25)	A 48 Class 40-B
Nodular cast iron	0.7040	GJS-400-15 (GGG 40)	A 536 Gr. 60-40-18
Cast steel	1.0619	GP240GH (GS-C 25)	A 216 Gr. WCB
Chrome nickel cast steel	1.4308	G-X5 Cr Ni 19-10	A 351/743/744 Gr. CF8
Chrome nickel molybdenum cast steel	1.4408	G-X5 Cr Ni Mo 19-11-2	A 351/743/744 Gr. CF8M
Chrome nickel molybdenum cast steel (low carbon)	1.4409	G-X2 Cr Ni Mo 19-11-2	A 351/743/744 CF3M
Austenitic-ferritic cast steel (duplex)	1.4517	G-X2 Cr Ni Mo Cu N 25-6-3-3	A 890 Gr. 1B (CD4MCuN)
Austenitic-ferritic cast steel (super duplex)	1.4469	G-X2 Cr Ni Mo N 26-7-4	A 890 Gr. 5A (CE3MN)
Cast bronze	2.1050.01	G-Cu Sn 10	B 584 C 90700
Carbon steel	1.0503	C 45	A 29/108/576 1045
Chrome steel	1.4021	X20 Cr 13	A 276 Type 420
Chrome nickel steel	1.4301	X5 Cr Ni 18-10	A 276 Type 304
Chrome nickel steel (low carbon)	1.4306	X2 Cr Ni 19-11	A 276 Type 304L
Chrome nickel molybdenum steel	1.4401	X5 Cr Ni Mo 17-12-2	A 276 Type 316
Chrome nickel molybdenum steel (low carbon)	1.4404	X2 Cr Ni Mo 17-12-2	A 276 Type 316 L
Duplex (austenitic-ferritic) steel	1.4462	X2 Cr Ni Mo N 22-5-3	A 276 (32205)

Flange Dimensions

Pump Type	Suction (PN 16)					Discharge (PN 16)				
	DN _e	D _f	k	s	n	DN _b	D _f	k	s	n
32	50	165	125	19	4	32	140	100	19	4
40	65	185	145	19	4	40	150	110	19	4
50	65	185	145	19	4	50	165	125	19	4
65	80	200	160	19	8	65	185	145	19	4
80	100	220	180	19	8	80	200	160	19	8
100	125	250	210	19	8	100	220	180	19	8
125	150	285	240	19	8	125	250	210	19	8
150	200	340	295	23	12	150	285	240	23	8
200	250	405	355	23	12	200	340	295	23	12
250	300	460	410	28	12	250	405	355	28	12

"n" number of holes





Standart
POMPA ve MAKİNA SANAYİ TİC. A.Ş.

www.standartpompa.com / e-mail: info@standartpompa.com

Factory - Center

Organize Sanayi Bölgesi
2.Cad No:9 34775
İstanbul - TÜRKİYE
Pbx: +90 216 466 89 00
Fax: +90 216 415 88 60