

# VERTICAL CENTRIFUGAL PUMPS

## IM 110

MADE IN ITALY 

- **Product of Italian origin**
- Available in PP-PVDF
- Pump immersed in tank
- Removable motor even with pump installed
- No welded seams
- Operation also possible with heavily soiled fluids, with solids in suspension
- Max. flow rate 20 m<sup>3</sup>/h
- Max head 15 m
- Open impeller Ø 120 mm x H 8 mm (Standard impeller, for any special design with reference to the pumped fluid contact DEBEM's technical support)
- Simple replacement of wear bushing
- Extremely easy maintenance
- Also available without motor
- Low cost of spare parts
- Viscosity up to 500 CPS
- Column length: 500 / 800 / 1000 / 1250 mm (*other sizes on request*)
- Operating temperatures:  
PP min. +3°C / max. +65°C  
PVDF min. +3°C / max. +95°C
- Continuous operation: YES
- Warranty: 1 year, according to our general conditions of sale
- Spare parts: to identify the spare parts check the exploded views provided at the end of the operation and maintenance manual.

MODEL	Kw MOTOR	HP	MOTOR SIZE	RPM	MOTOR SPECIFICATIONS
IM110	1,1	1,5	B5	2900	THREE-PHASE 230/400 V-50/60 HZ 2-POLE (single phase motor available) efficiency class IE1 protection rating IP55 - Ambient temperature -30°C + 45° C / ATEX motor available

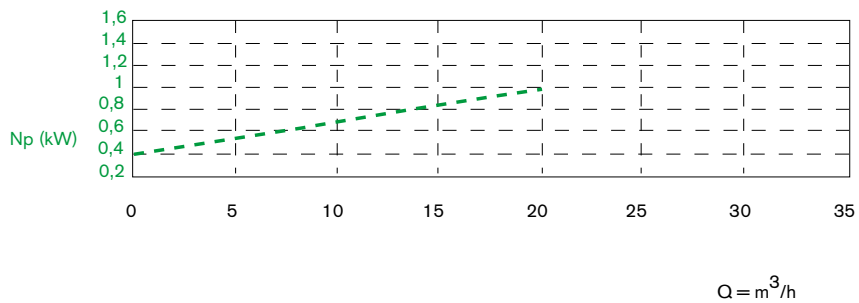
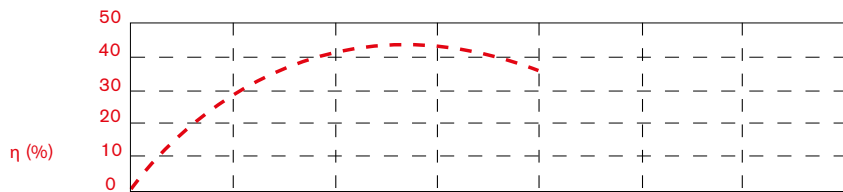
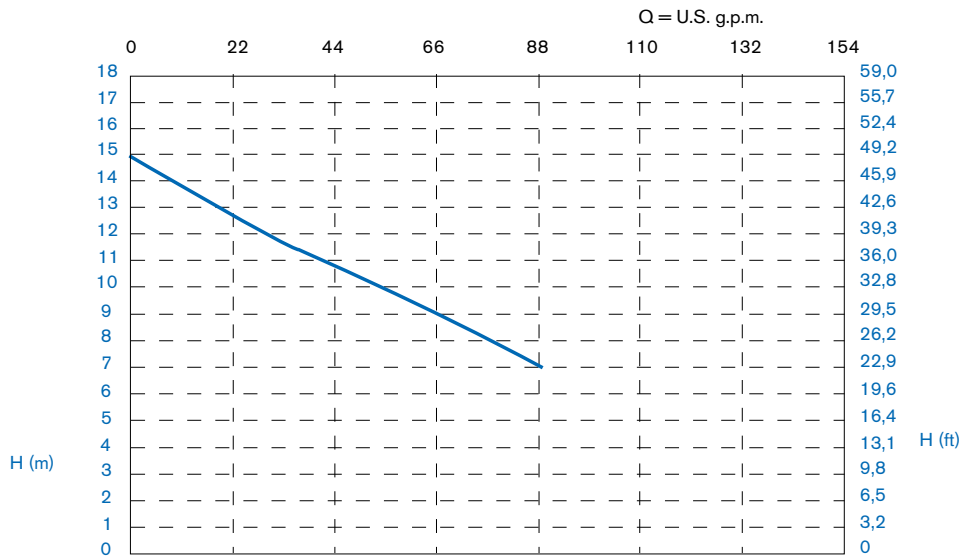
ATTENTION: technical data for standard motor, for any special design with reference to the pumped fluid contact DEBEM's technical support.



**Intake connections** G 2" m (or DN 50 on request)  
**Delivery connections** G 1" 1/2 m (or DN 40 on request)  
**Max. flow rate** 20 m<sup>3</sup>/h  
**Max head** 15 m  
**Construction materials** PP - PVDF

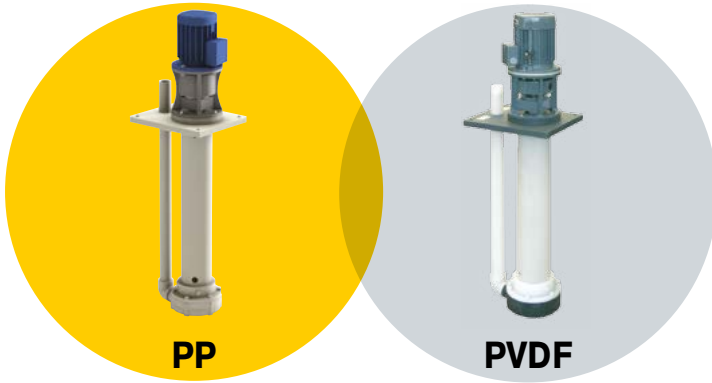
CE

**DEBEM**  
MADE IN ITALY

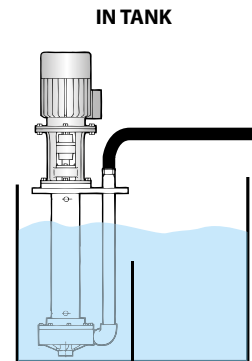


The curves and performance values refer to pumps spare delivery outlet and water at 20°C, 2 pole motor 50 Hz (2900rpm).

## AVAILABLE MATERIALS

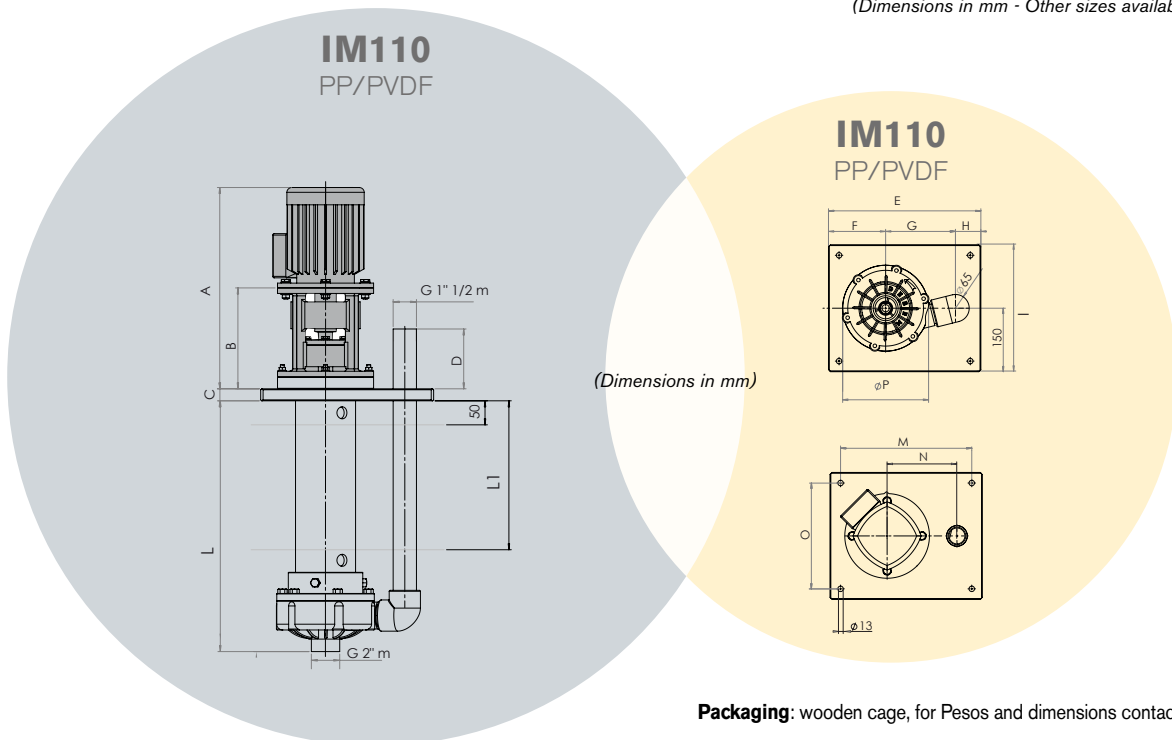


## INSTALLATION



L column	Peso PP	Peso PVDF	L1 max.
500	15 Kg	16 Kg	300
800	19 Kg	20 Kg	600
1000	22 Kg	23 Kg	800
1250	24 Kg	25 Kg	1050

(Dimensions in mm - Other sizes available on request)



**Packaging:** wooden cage, for Pesos and dimensions contact Debem staff.

MODEL	POWER	Ø PASSING SOLIDS	A	B	C	D	E	F	G	H	I	M	N	O	P	KG MOTOR
IM 110	1.1 Kw - 1.5 HP	6	419	210	25	125	360	135	165	60	300	310	165	250	Ø203	13

## IM COMPOSITION CODE

ex. **IM110P-V-0800-N**

IM110 in PP, O-Ring Viton, column length 800 mm, three-phase motor

IM110	P -	V	0800	N
PUMP MODEL	PUMP MATERIAL	O-RING	COLUMN LENGTH	MOTOR
<b>IM110</b> - IM 110	<b>P</b> - Polypropylene <b>FC</b> - PVDF+CF	<b>D</b> - EPDM <b>V</b> - Viton	<b>0500</b> - 500 mm <b>0800</b> - 800 mm <b>1000</b> - 1000 mm <b>1250</b> - 1250 mm	<b>N*</b> - Three-phase motor <b>M</b> - Single-phase motor <b>A</b> - ATEX motor

\*Standard motor is the three-phase induction type with European voltage (2-pole) 50Hz

## PRODUCT APPLICATION

