



1" GR Internal Eccentric Gear Pump



Performance:

Flow rate	3 m ³ /h
Pressure	1 - 14 bar
Temperature	0 - 200 °C
Speed	1400 d/d
Viscosity	100 - 250000 SSU

Technical Features:

- ✓ Internal eccentric gear pump
- ✓ 1" threaded ports
- ✓ Compact design
- ✓ Reliable construction thanks to only two moving parts
- ✓ Various material options
- ✓ Available with external bypass, jacketed and blind cover
- ✓ 230v, three phase 50/60hz motors available
- ✓ Motor and gearbox drive available
- ✓ Manufactured according to CE regulations

Applications:

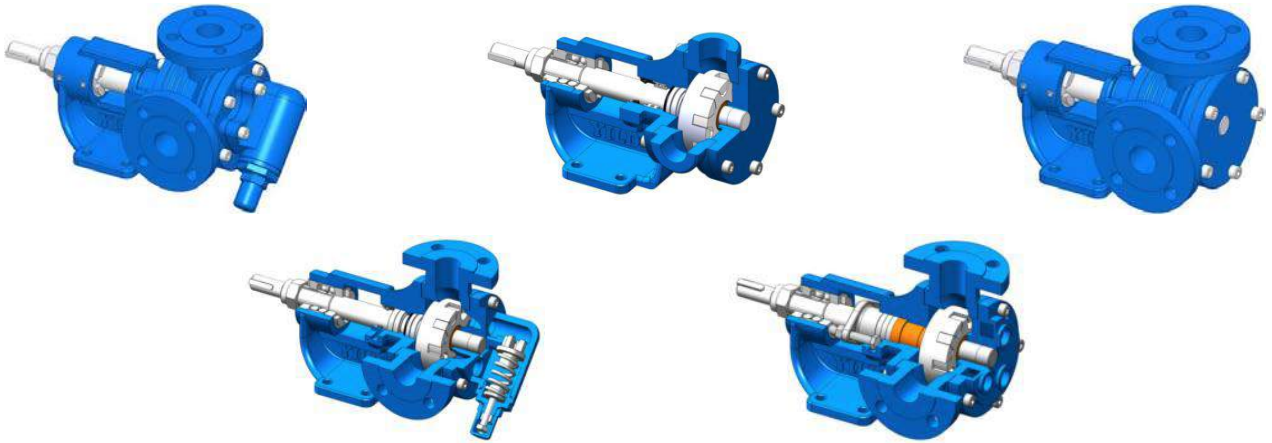
- ✓ Fuel oil, diesel fuel and gas oil transfer
- ✓ Small scale thermal oil applications including Marlotherm, Duratherm, Paratherm, Multitherm, Mobiltherm and Dowtherm
- ✓ Lubrication applications
- ✓ Coolant transfer
- ✓ Any transfer of low to medium viscosity fluids with lubricating properties
- ✓ Not suitable for fluids containing abrasive particles

Material Options:

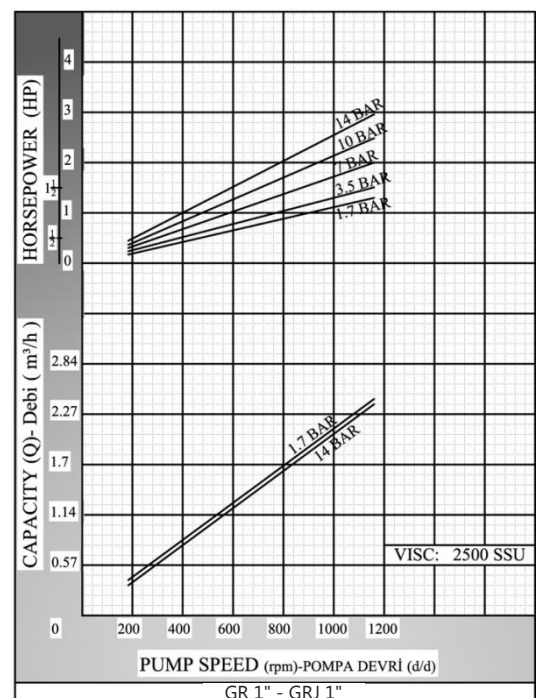
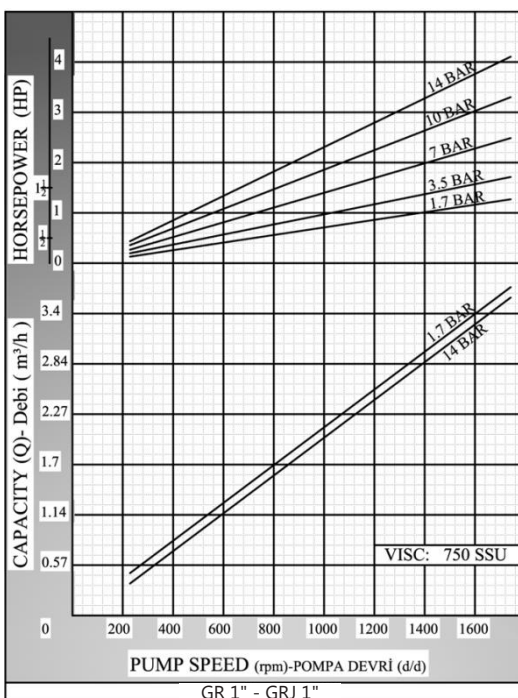
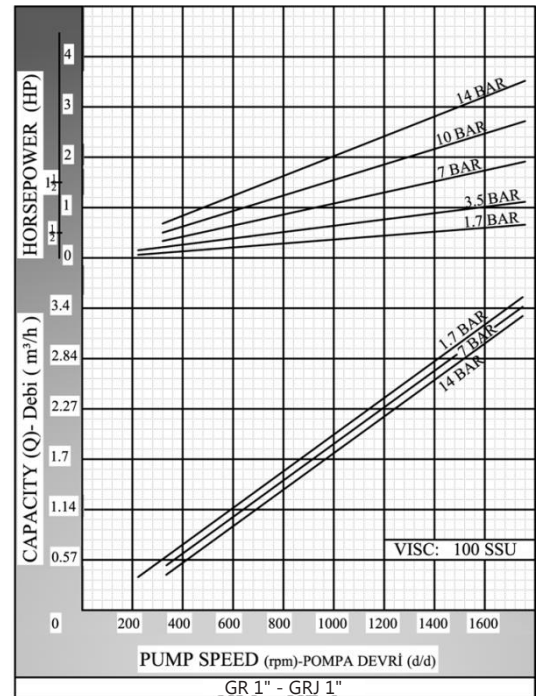
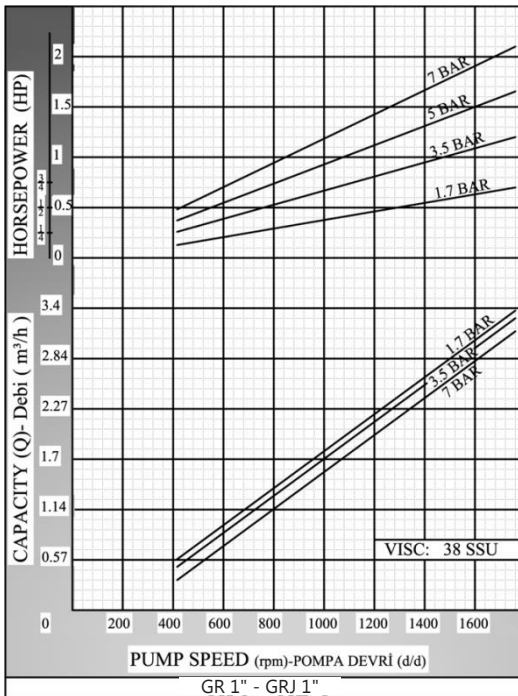
- ✓ Pump body, covers: Pig cast iron, Spheroidal cast iron, cast steel, AISI 304/316 CrNi Stainless Steel
- ✓ Gears: Spheroidal cast iron, cast steel, AISI 304/316 CrNi Stainless Steel
- ✓ Bearings: Snbz 12 bronze, carbon graphite, silicon carbide, hard metal coated steel, bearing
- ✓ Sealing: Soft seal or packing gland, Rotatherm seal, lip seal, mechanical seal, cartridge type mechanical seal

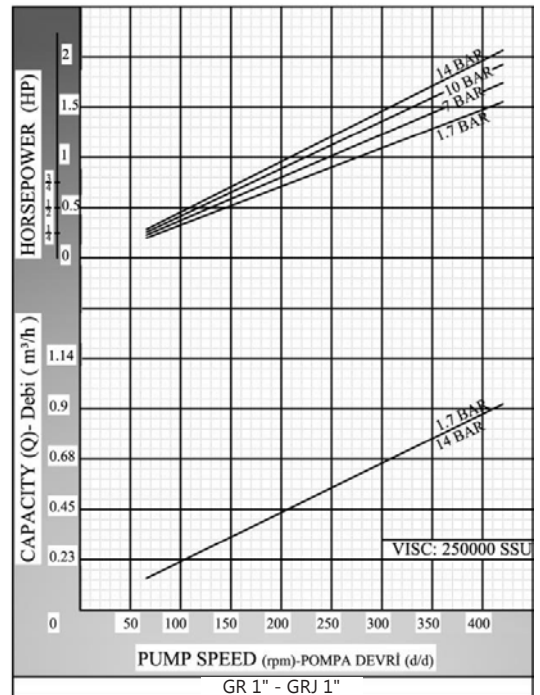
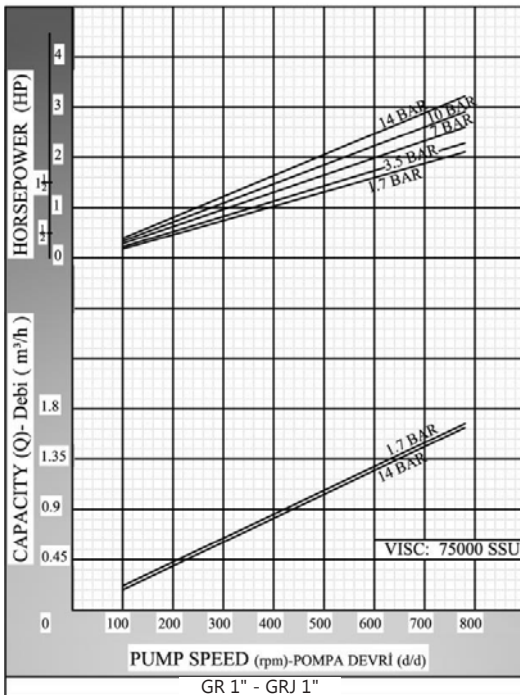
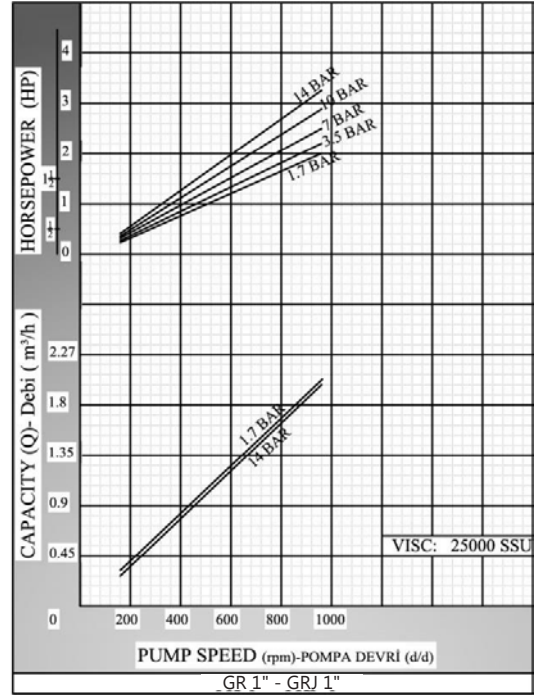
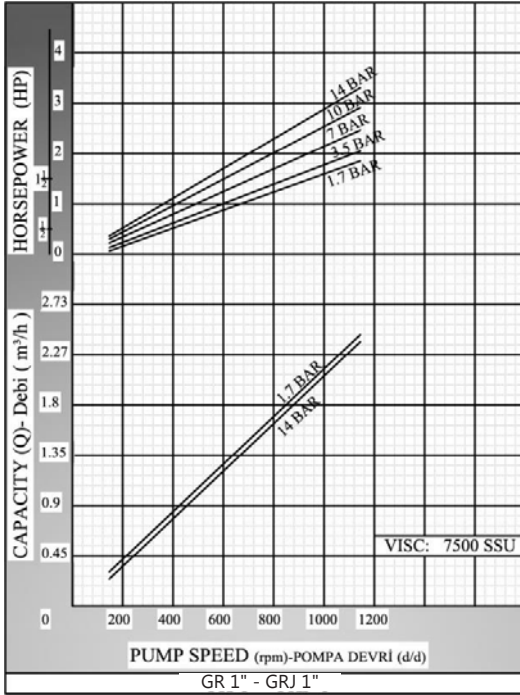
Capacity & Power Table						
Capacity (Q)	Speed (rpm)	Pressure				Viscosity
		2.5 Bar	5 Bar	7.5 Bar	10 Bar	
0.100	60	0.5 HP	0.5 HP	0.75 HP	0.75 HP	75000 SSU
0.150	80	0.5 HP	0.75 HP	1 HP	1 HP	25000 SSU
0.180	100	0.75 HP	0.75 HP	1 HP	1 HP	25000 SSU
1.8	900	0.75 HP	1 HP	1.5 HP	2 HP	750 SSU
3	1400	1 HP	1.5 HP	2 HP	3 HP	100 SSU

Motor Powers		Motor Powers		Motor Powers	
1 HP	1400 d/d (rpm)	1 HP	900 d/d (rpm)	1.5 HP	750 d/d (rpm)
0.75 HP	900 d/d (rpm)	1.5 HP	900 d/d (rpm)	2 HP	900 d/d (rpm)
Motor Body		1.5 HP	1400 d/d (rpm)	3 HP	1400 d/d (rpm)
80		2 HP		Motor Body	
		Motor Body		100	
		90			



Pump Dimensions - Capacity Graphs:



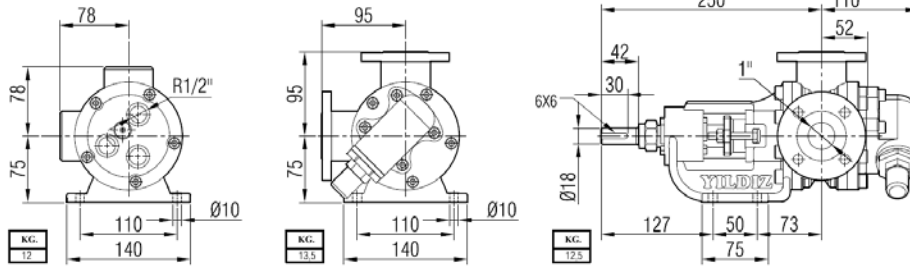




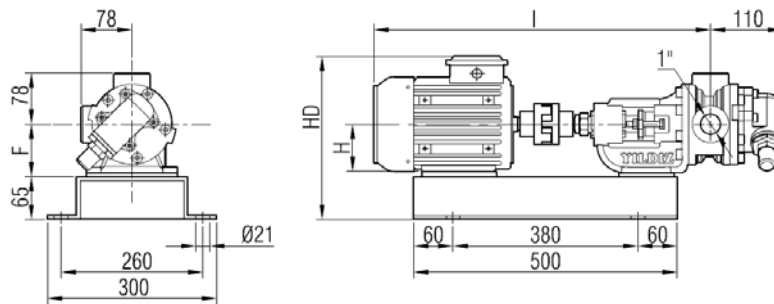
Pump Dimensions:

GR 1"

GRJ 1"

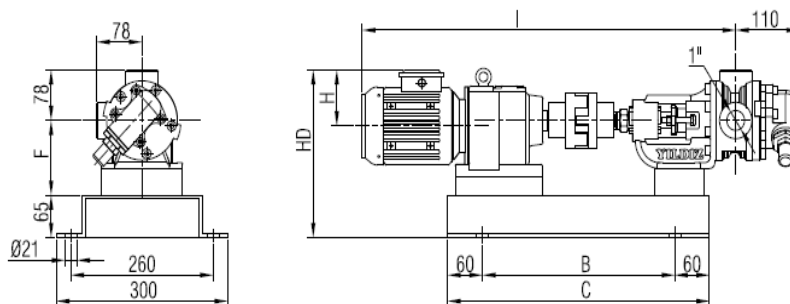


Coupling Dimensions - Motor drive:

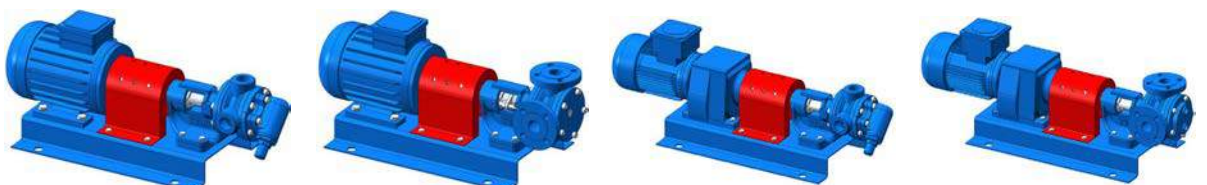


Motor Power & Speed			I	HD	H	F	Kg	
0.5-0.75 hp / 0.37-0.55 kw	900 d/d (rpm)	MOTOR 80	542	263	80	80	31	32
0.75-1 hp / 0.55-0.75 kw	1400 d/d (rpm)						30	31
1 hp / 0.75 kw	900 d/d (rpm)	MOTOR 90S	575	281	90	90	37	
1.5 hp / 1.1 kw	1400 d/d (rpm)						38	
1.5 hp / 1.1 kw	900 d/d (rpm)	MOTOR 90L	627				40	
2 hp / 1.5 kw	1400 d/d (rpm)						40	
1.5 hp / 1.1 kw	750 d/d (rpm)	MOTOR 100L	681	300	100	100	45	
2 hp / 1.5 kw	900 d/d (rpm)						45	
3-4 hp / 2.2-3 kw	1400 d/d (rpm)						43	47

Dimensions - Gearbox drive:

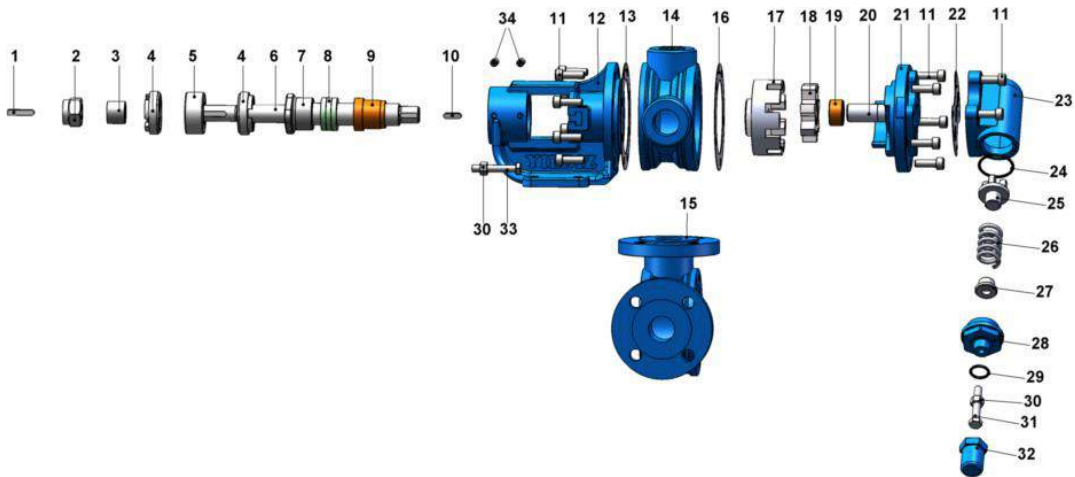


Motor Power & Speed			I	HD	H	B	C	F	Kg
1 hp / 0.75 kw	90/400 d/d (rpm)	IRAM42/80M	681	254	118	300	420	75	39
1.5 hp / 1.1 kw	200/400 d/d (rpm)	IRAM42/90S	700	268	132				43
1 hp / 0.75 kw	40/240 d/d (rpm)	IRAM53/80M	714		118	380	500	90	46
1.5 hp / 1.1 kw	60/382 d/d (rpm)	IRAM53/90S	733	282	132				49



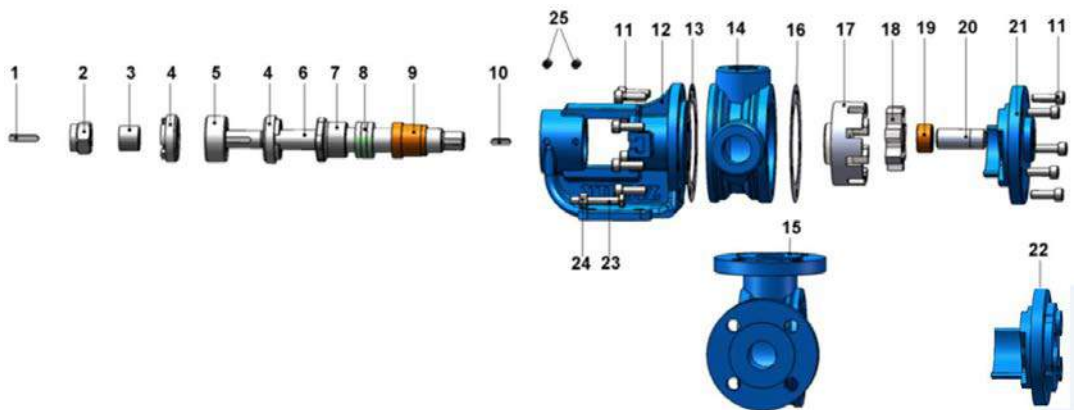


Spare Parts List - Sealed with soft seal, and pressure relief valve on cover:



No.	Part Name.	Qty.	No.	Part Name.	Qty.	No.	Part Name.	Qty.
1	Coupling Key 6x6x30 AB	1	13	Bracket Gasket	1	25	Valve	1
2	Lock Nut	1	14	Casing (w /90° Threaded Ports)	1	26	Spring	1
3	Spacer	1	15	Casing (w/ 90° Flanged Ports)	1	27	Washer	1
4	Adjusting Nut	2	16	Cover Gasket	1	28	Bypass Cover	1
5	Ball Bearing (3204-2RS)	1	17	Rotor Gear	1	29	Cap O-Ring	1
6	Shaft	1	18	Idler Gear	1	30	Nut M8	3
7	Packing Press	1	19	Idler Gear Bushing	1	31	Adjusting Screw M8x55	1
8	Soft Seal / Packing Gland	1 TK	20	Cover Pin	1	32	Cap	1
9	Bracket Bushing	1	21	Cover (w/ Bypass Inlets)	1	33	Hex Bolt M8x50	2
10	Rotor Key 6x6x20 A	1	22	Bypass Gasket	1	34	Grub Screw M8x16	4
11	Inbus Bolt M8x25	17	23	Pressure Relief Valve - Bypass	1			
12	Bracket	1	24	Bypass O-Ring	1			

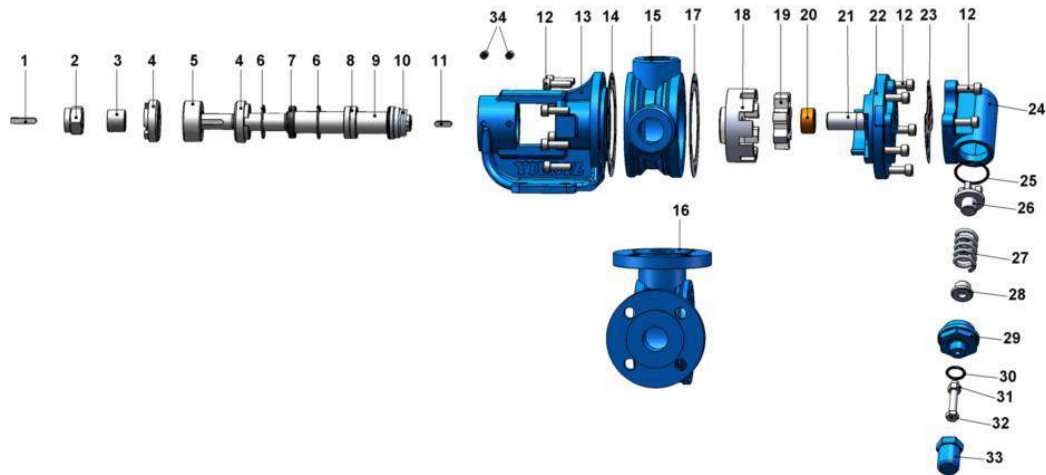
Spare Parts List - Sealed with soft seal, jacketed, and with blind cover:



No.	Part Name.	Qty.	No.	Part Name.	Qty.	No.	Part Name.	Qty.
1	Coupling Key 6x6x30 AB	1	10	Rotor Key 6x6x20 A	1	19	Idler Gear Bushing	1
2	Lock Nut	1	11	Inbus Bolt M8x25	13	20	Cover Pin	1
				Inbus Bolt M8x30 For Cover w/Heating Jacket	5			
3	Spacer	1	12	Bracket	1	21	Blind Cover	1
4	Adjusting Nut	2	13	Bracket Gasket	1	22	Cover (w/ Heating Jacket)	1
5	Ball Bearing (3204-2RS)	1	14	Casing (w/ 90° Threaded Ports)	1	23	Hex Bolt M8x50	2
6	Shaft	1	15	Casing (w/ 90° Flanged Ports)	1	24	Nut M8	2
7	Packing Press	1	16	Cover Gasket	1	25	Grub Screw M8x16	4
8	Soft Seal / Packing Gland	1 TK	17	Rotor Gear	1			
9	Bracket Bushing	1	18	Idler Gear	1			

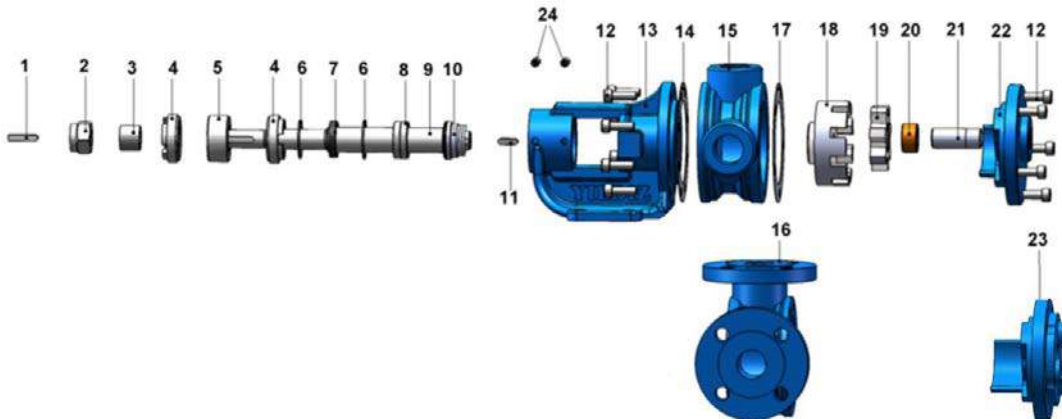


Spare Parts List - Sealed with mechanical seal, and pressure relief valve on cover:



No.	Part Name.	Qty.	No.	Part Name.	Qty.	No.	Part Name.	Qty.
1	Coupling Key 6x6x30 AB	1	13	Bracket	1	25	Bypass O-Ring	1
2	Lock Nut	1	14	Bracket Gasket	1	26	Valve	1
3	Spacer	1	15	Casing (w /90° Threaded Ports)	1	27	Spring	1
4	Adjusting Nut	2	16	Casing (w/ 90° Flanged Ports)	1	28	Washer	1
5	Ball Bearing (3204-2RS)	1	17	Cover Gasket	1	29	Bypass Cover	1
6	Internal Circlip (ø37)	2	18	Rotor Gear	1	30	Cap O-Ring	1
7	Lip Seal ø25xø37x7	1	19	Idler Gear	1	31	Nut M8	1
8	Ball Bearing (61805T-2RS)	2	20	Idler Gear Bushing	1	32	Adjusting Screw M8x55	1
9	Shaft	1	21	Cover Pin	1	33	Cap	1
10	Mechanical Seal Ø25	1	22	Cover (w/ Bypass Inlets)	1	34	Grub Screw M8x16	4
11	Rotor Key 6x6x20 A	1	23	Bypass Gasket	1			
12	Inbus Bolt M8x25	17	24	Pressure Relief Valve - Bypass	1			

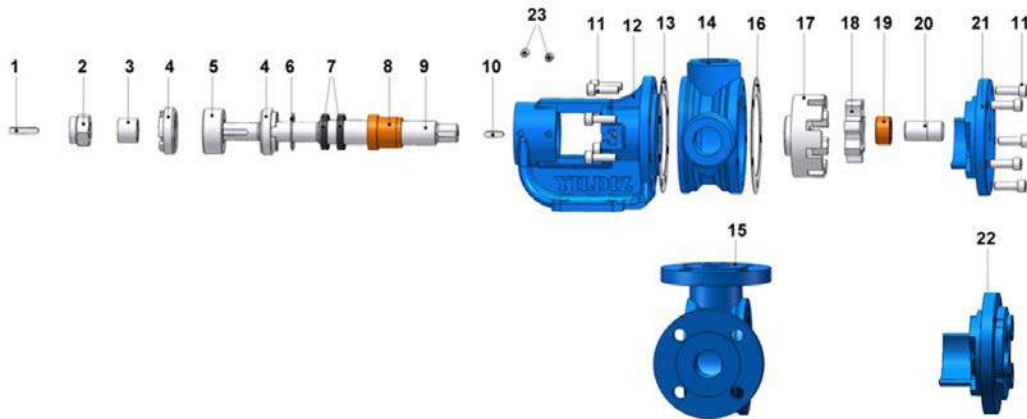
Spare Parts List - Sealed with mechanical seal, jacketed, and with blind cover:



No.	Part Name.	Qty.	No.	Part Name.	Qty.	No.	Part Name.	Qty.
1	Coupling Key 6x6x30 AB	1	9	Shaft	1	17	Cover Gasket	1
2	Lock Nut	1	10	Mechanical Seal Ø25	1	18	Rotor Gear	1
3	Spacer	1	11	Rotor Key 6x6x20 A	1	19	Idler Gear	1
4	Adjusting Nut	2	12	Hex Socket M8x25	13	20	Idler Bushing	1
				Hex Socket M8x30 For Cover w/ Heating Jacket	5			
5	Ball Bearing (3204-2RS)	1	13	Bracket	1	21	Cover Pin	1
6	Internal Circlip (ø37)	2	14	Bracket Gasket	1	22	Blind Cover	1
7	Lip Seal ø25xø37x7	1	15	Casing (w/ 90° Threaded Ports)	1	23	Cover (w/ Heating Jacket)	1
8	Ball Bearing (61805T-2RS)	2	16	Casing (w/ 90° Flanged Ports)	1	24	Grub Screw M8x16	4



Spare Parts List - Sealed with lip seal, jacketed and with blind cover:



No.	Part Name.	Qty.	No.	Part Name.	Qty.	No.	Part Name.	Qty.
1	Coupling Key 6x6x30 AB	1	9	Shaft	1	17	Rotor Gear	1
2	Lock Nut	1	10	Rotor Key 6x6x20 A	1	18	Idler Gear	1
3	Spacer	1	11	Inbus Bolt M8x25	13	19	Idler Bushing	1
				Inbus Bolt M8x30 For Cover w/ Heating Jacket	5			
4	Adjusting Nut	2	12	Bracket	1	20	Cover Pin	1
5	Ball Bearing (3204-2RS)	1	13	Bracket Gasket	1	21	Blind Cover	1
6	Internal Circlip (ø37)	1	14	Casing (w/ 90° Threaded Ports)	1	22	Cover (w/ Heating Jacket)	1
7	Lip Seal ø25xø37x7	2	15	Casing (w/ 90° Flanged Ports)	1	23	Grub Screw M8x16	4
8	Bracket Bushing	1	16	Cover Gasket	1			